

UNIPRESS

SHIRT UNITS

Superior Quality, Reliability & Durability



Body Presses - Collar & Cuffs - Sleever - Laundry Presses

*Leading the World
in Quality Finishing Equipment*

SHIRT UNITS

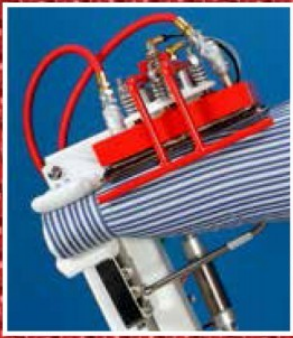
Hurricane Series

Shirt Units that Deliver –
Superior Quality, Reliability & Durability



The Hurricane Series incorporates UNIPRESS' hallmark features to produce unsurpassed quality for shirts up to size 20". The side air bags inflate and smooth out the sides of the shirt while the contoured chests close. When the rear chest makes contact with the Tensioning plate it automatically pulls down the back of the shirt. This presses the entire back of the shirt with no leave off marks resulting in an outstanding finish and high production.

The Hurricane Series Delivers Advanced Technology that is Simple to Use



Hurricane Series Models

The Hurricane Series is the perfect blend of Innovation, Technology and Craftsmanship. The small shirt button on the touch screen display allows an operator to easily process small/tapered shirts as quickly and efficiently as classic cut and big shirts; maximizing quality and production. The unique design of the Pleat Vent Press presses the sleeve pleats and vent area while maintaining the integrity of a rounded cuff giving the appearance of a hand finished shirt.

Two Position Arms for processing shirts with various styles of shirt sleeves. Classic cut shirts are processed in the default setting which is 5" higher than the arms down position. By selecting the Arms Down button on the Touch Screen Display shirts with steep angle sleeves can be finished without compromising quality and production standards.



**HS-2H Hurricane Double Buck
with Optional Hood**



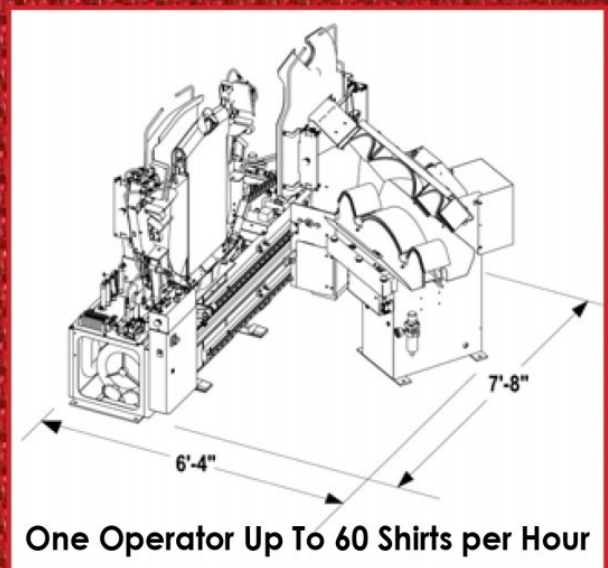
HS-1 Hurricane All-In-One

GYCLONE



Model CT

- **Ergonomic Design for Easy Loading**
- **Minimal Floor Space**
- **Formed Buck With Rear Tension Plate**
- **Full Rear Chest**
- **Adjustable Arm Height**
- **Small/Tapered Shirt Setting**
- **Pleat Vent Press**



Collar and Cuff Presses

F3T Collar & Cuff



**Also Available
F3TB Blouse Collar & Cuff Press**

3TZ Collar & Cuff



**Tensioning
Collar and Cuff Press**

DCC Double Collar & Cuff



Tensioning Collar & Cuff Press

Q4T Quad Collar & Cuff



Tensioning Collar & Cuff Press



Easy to Load

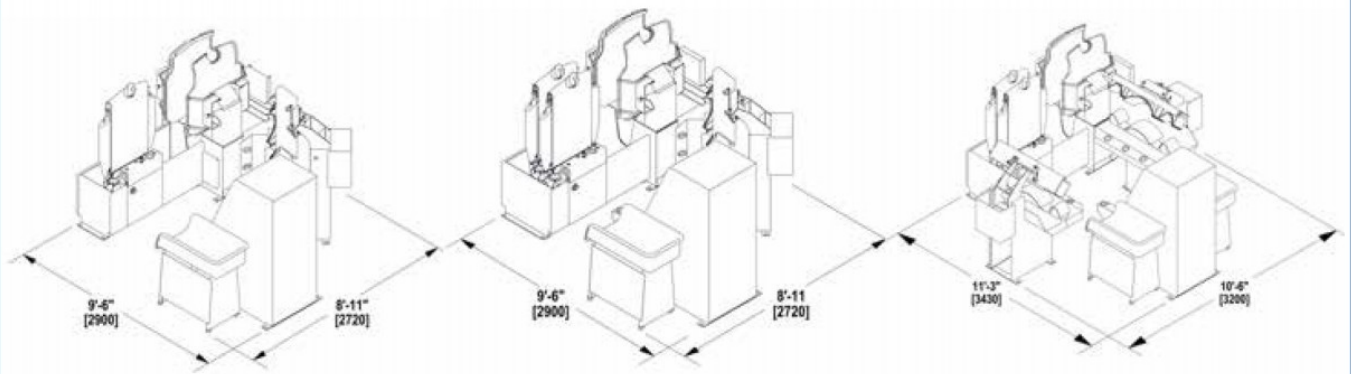
Thunder **TD2**



Impeccable Finish

- **Contoured Chests**
- **Formed Vacuum Buck**
- **Side Air Bags**
- **Foot Operated Collar Clamp**
- **Fast Smooth Transfer**
- **High Pressure Squeeze**
- **Open Design**
- **Rear Tension Plate**

Thunder Suggested Layouts



**Thunder TS1
Single Buck**

**Thunder TD2
Double Buck**

**Thunder TD2
Double Buck**

ABS

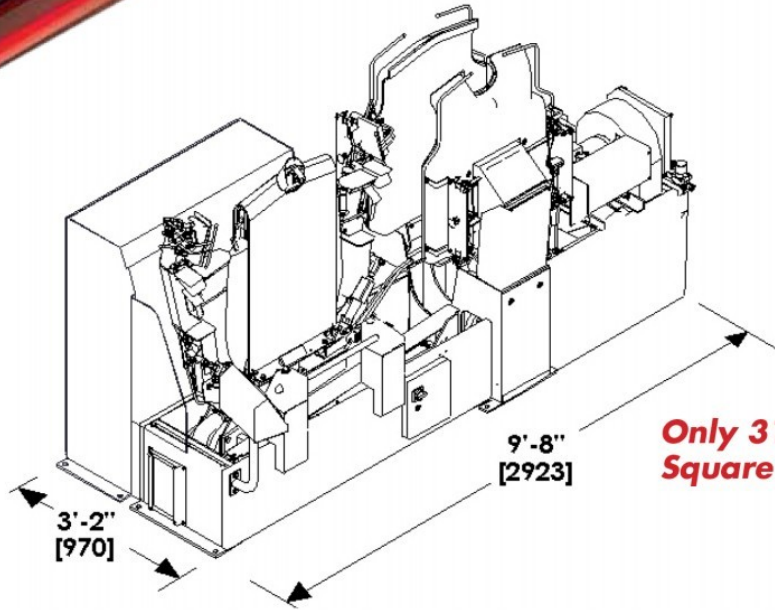
Cabinet Air Bag Sleever

The ABS Air Bag Sleever produces top quality fully pressed sleeves of all sizes and shapes in one operation. Contoured chest, non-porous air bags and automatic measuring ensure high quality uniformly finished sleeves. The non-porous air bags are inflated with compressed air which expand to the contour of a wide range of shirt sleeves. The pressurized air bags fit precisely into the highly polished contoured chests, pressing the length of the sleeve from the shoulder seam to the cuff. Automatic cuff clamps release at the completion of the timed cycle and coupled with easy loading ensure that high production is obtained with very little operator effort.

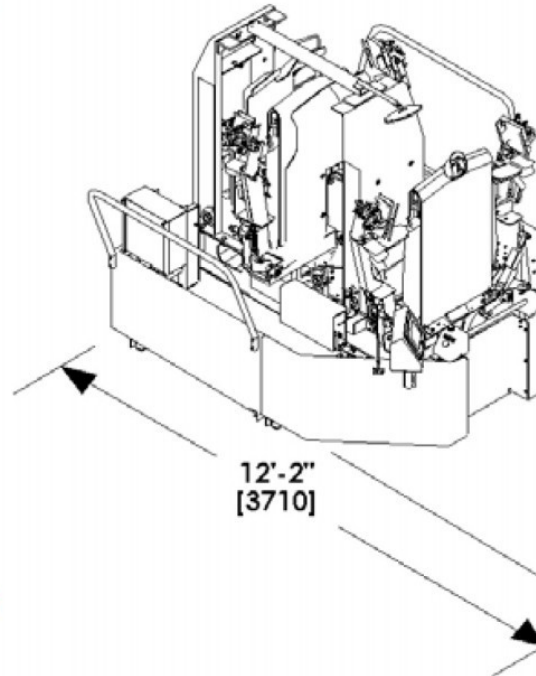


Hurricane Series

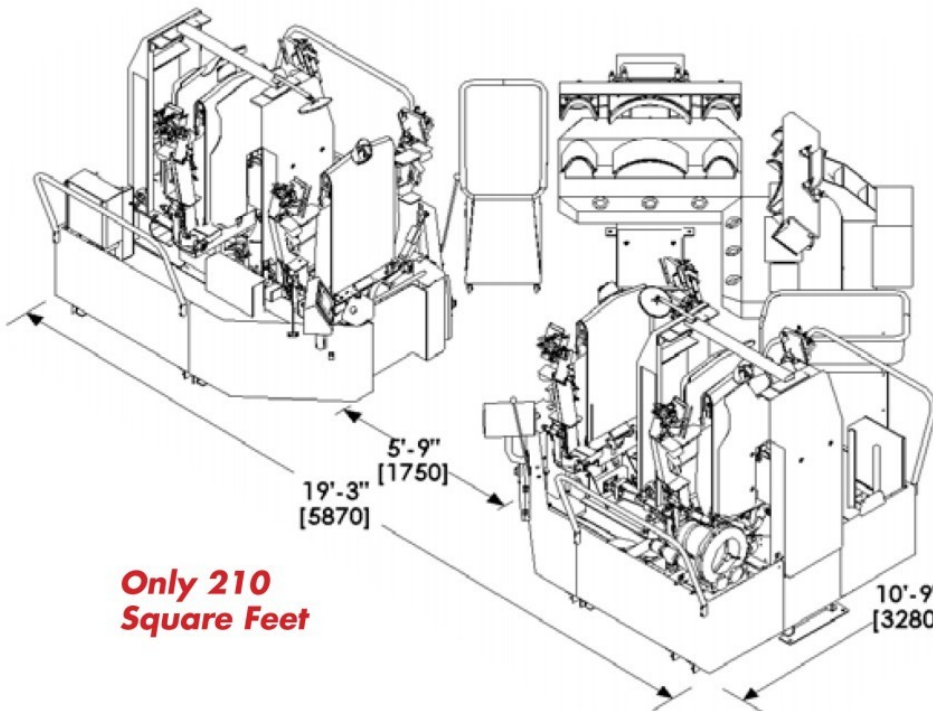
**HS-1 Hurricane All-In-One
1 Operator up to
60 Shirts per Hour**



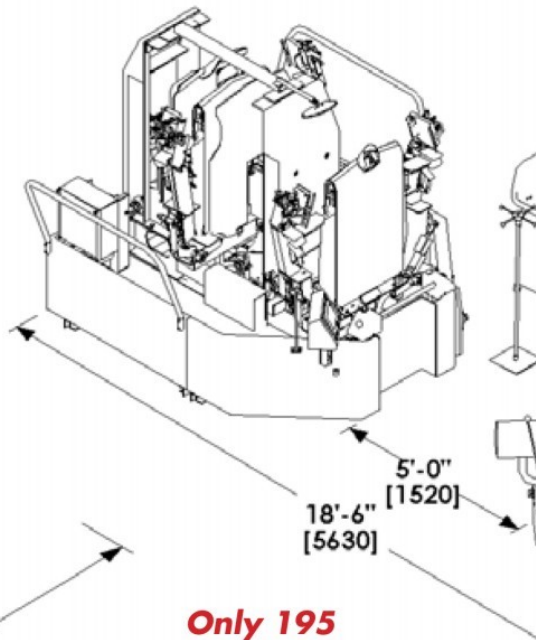
**Only 31
Square Feet**



HS-2 Hurricane 3 Operators



**Only 210
Square Feet**

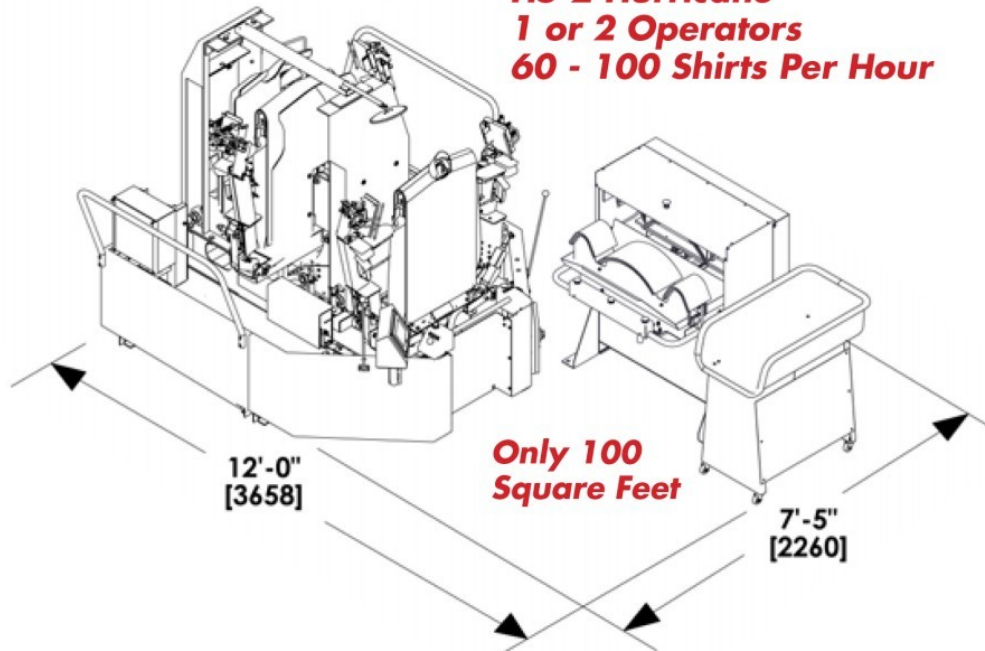
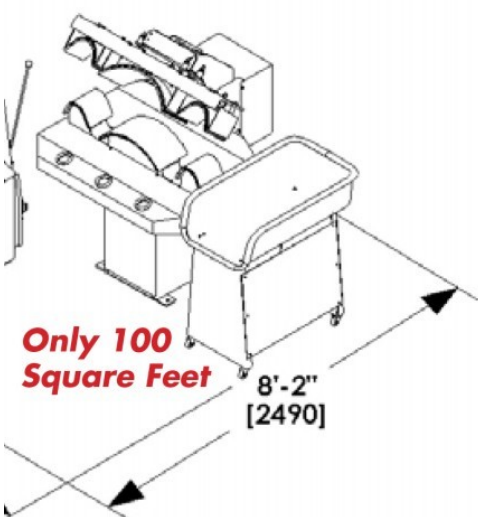


**Only 195
Square Feet**

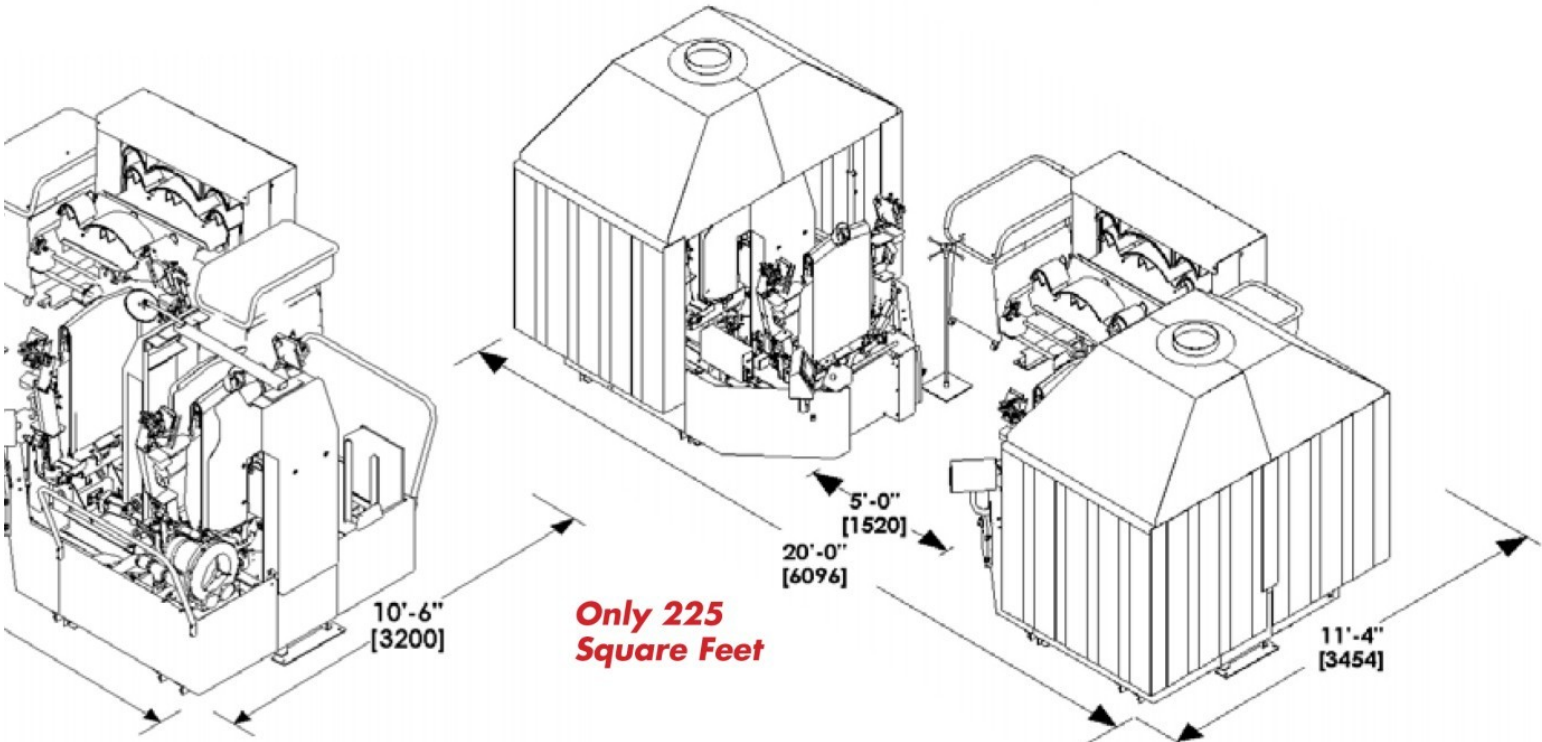
Recommended Layouts

HS-2 Hurricane
1 or 2 Operators
60 - 100 Shirts Per Hour

HS-2 Hurricane
1 or 2 Operators
60 - 100 Shirts Per Hour



up to 200+ Shirts Per Hour



Laundry Presses

FMT

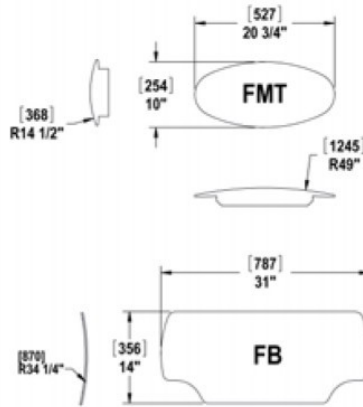
FB



FMT

MUSHROOM PRESS

F FRAME PRESSES



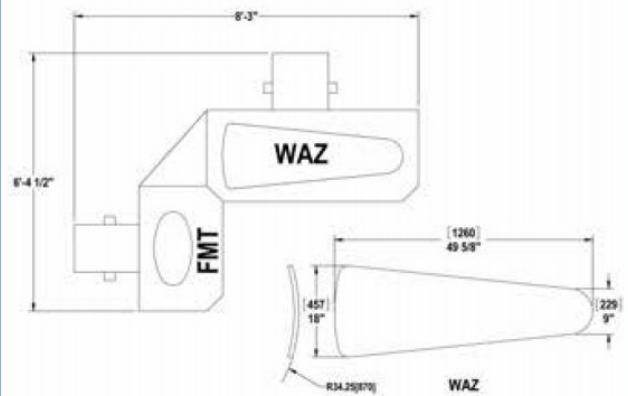
FB

LAYDOWN BODY PRESS

WAZ



WEARING APPAREL PRESS

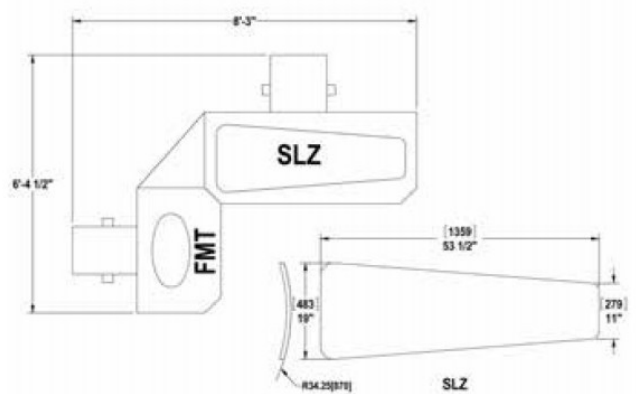


SLZ

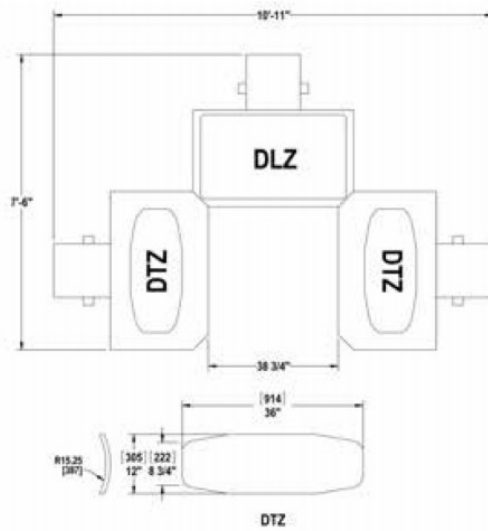


Available in
Electrically
Heated

SINGLE LAUNDRY LEGGER

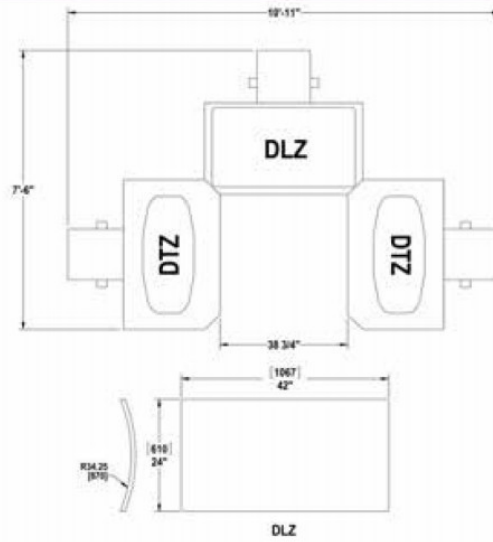


DTZ



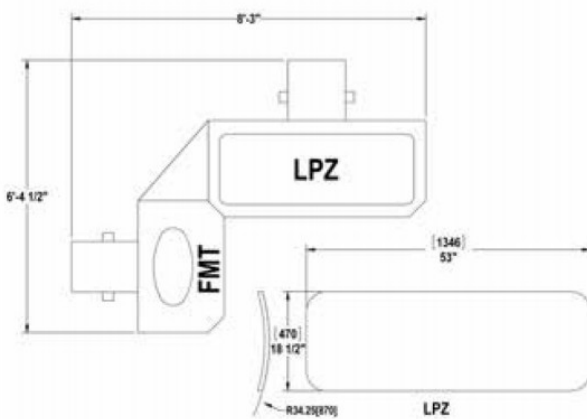
DOUBLE PANTS TOPPER

DLZ

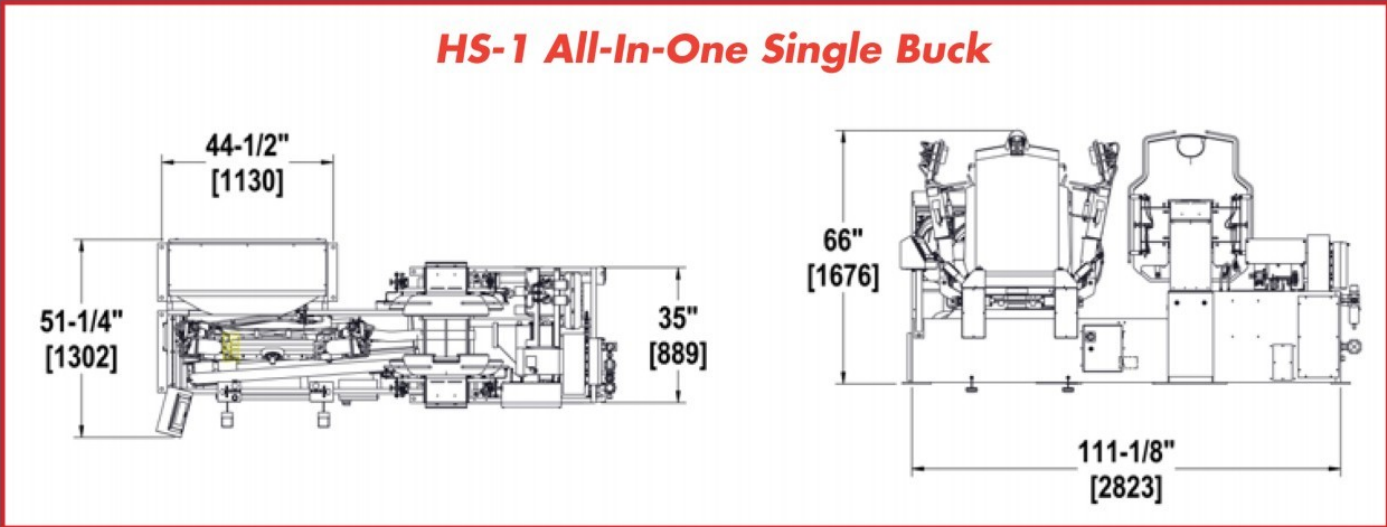
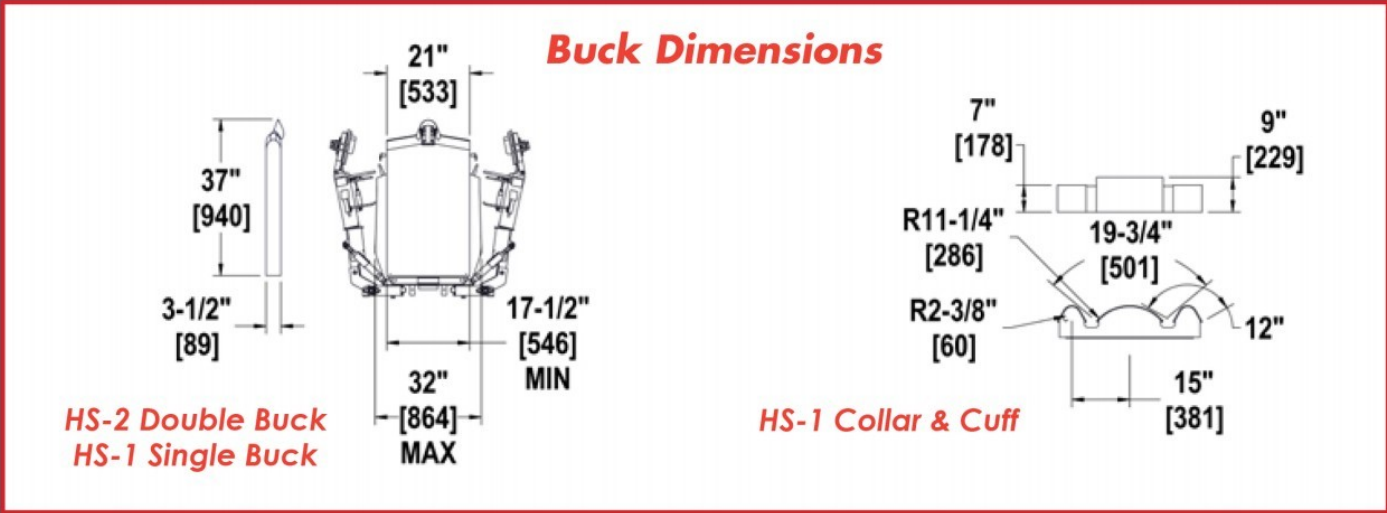
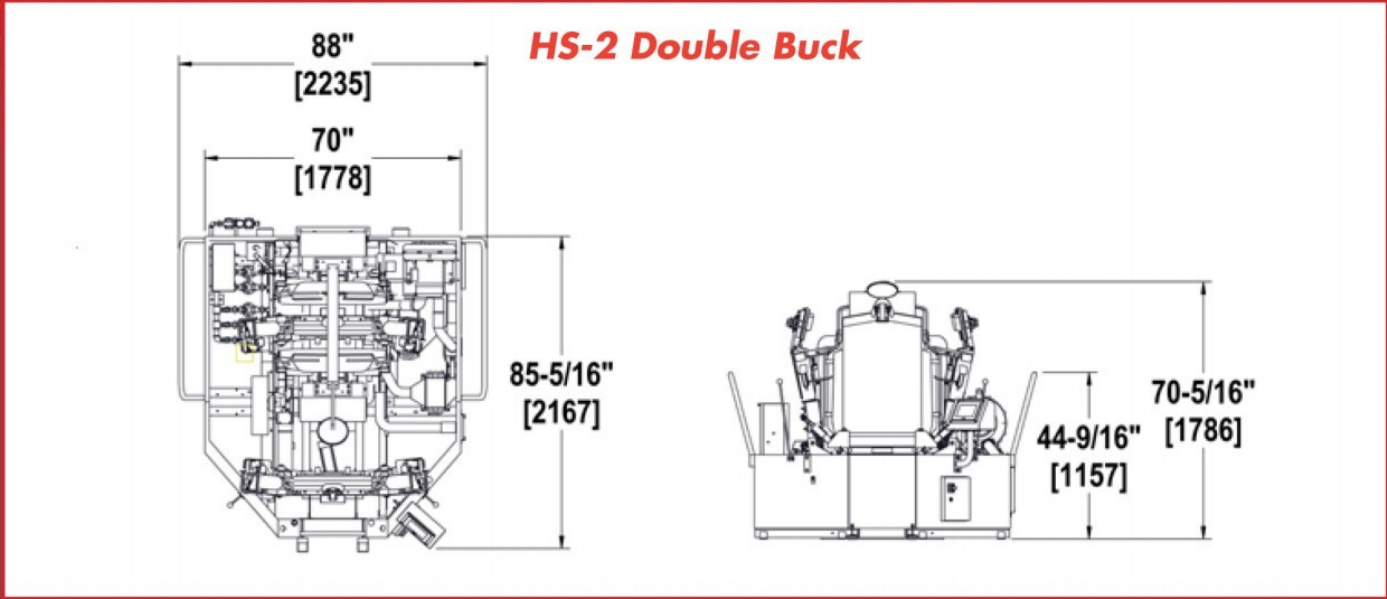


DOUBLE PANTS LEGGER

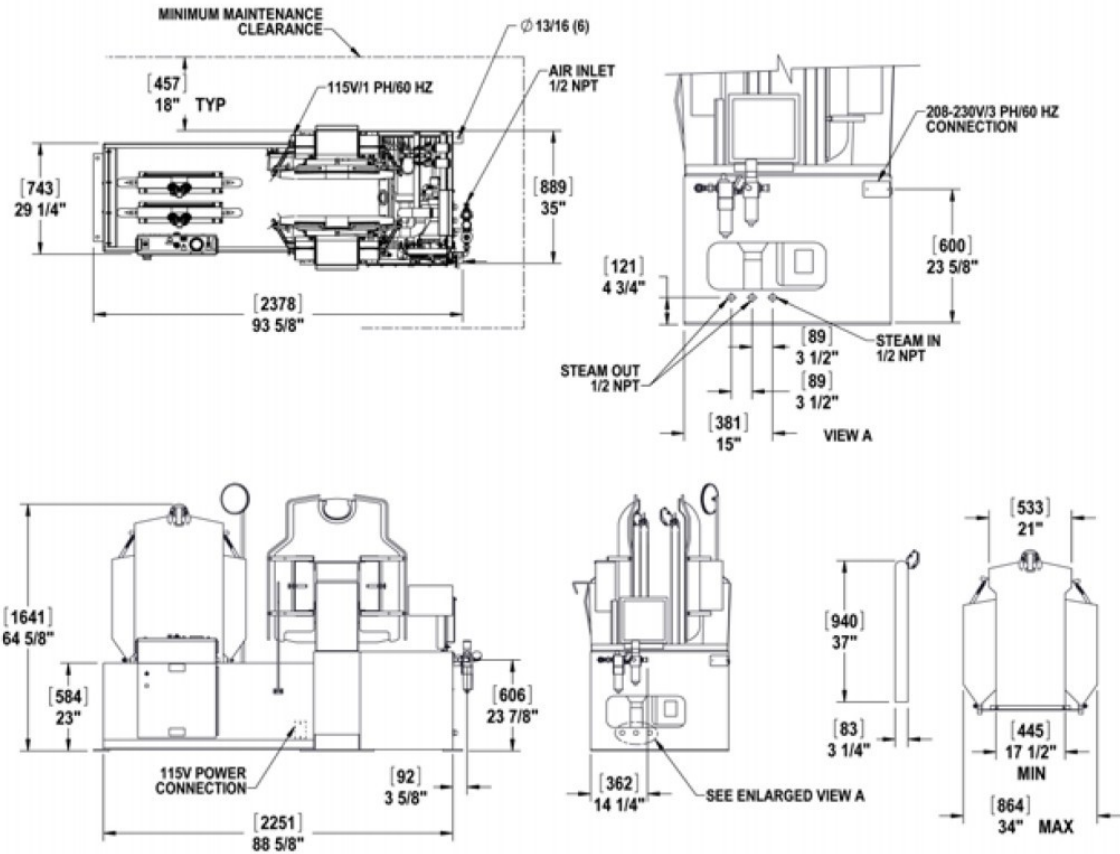
LPZ



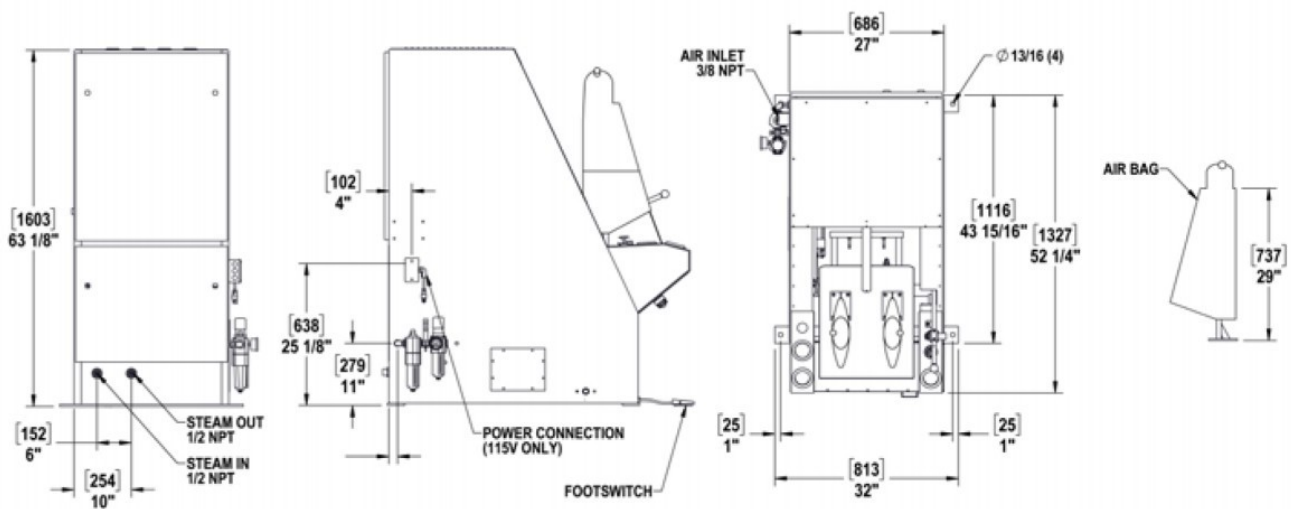
LINEN SUPPLY PRESS

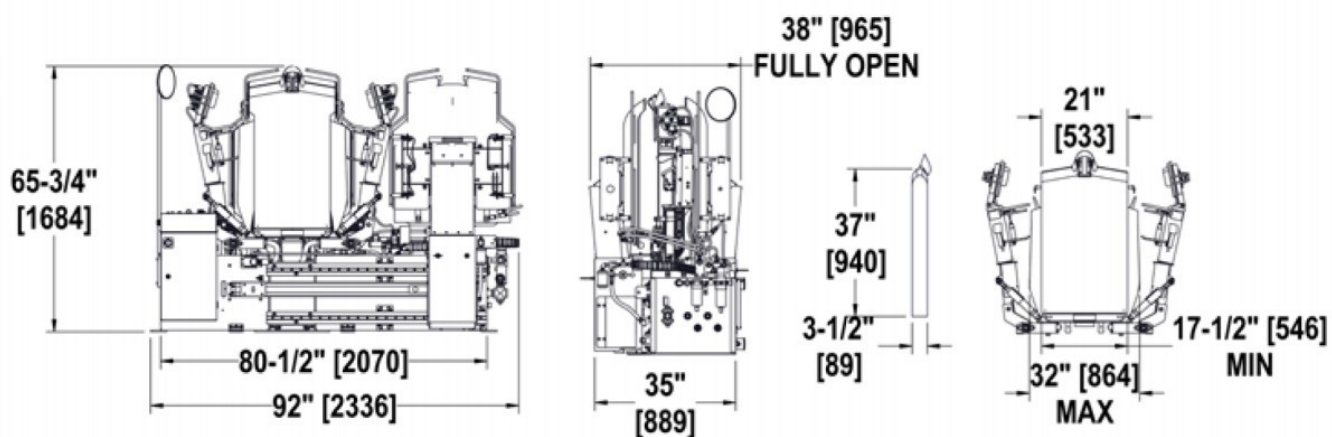


THUNDER TD2

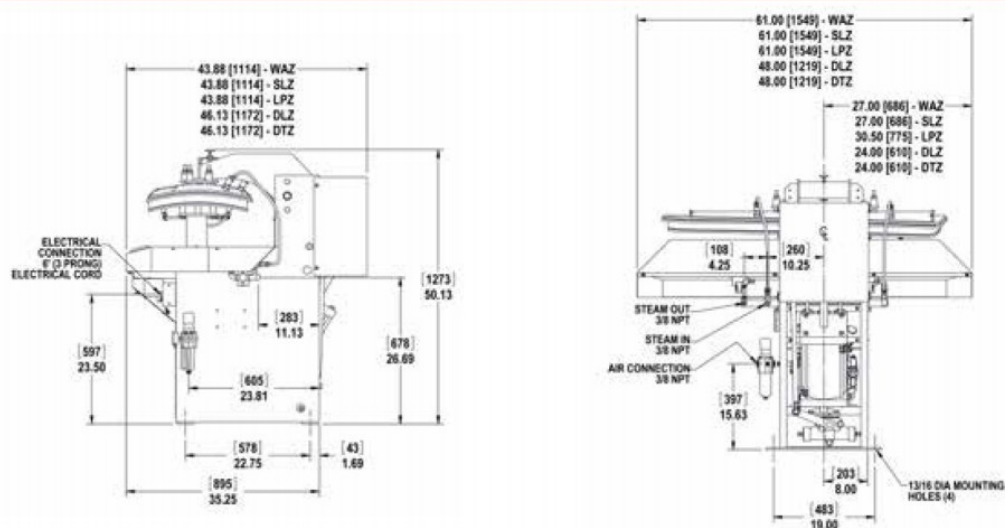


ABS

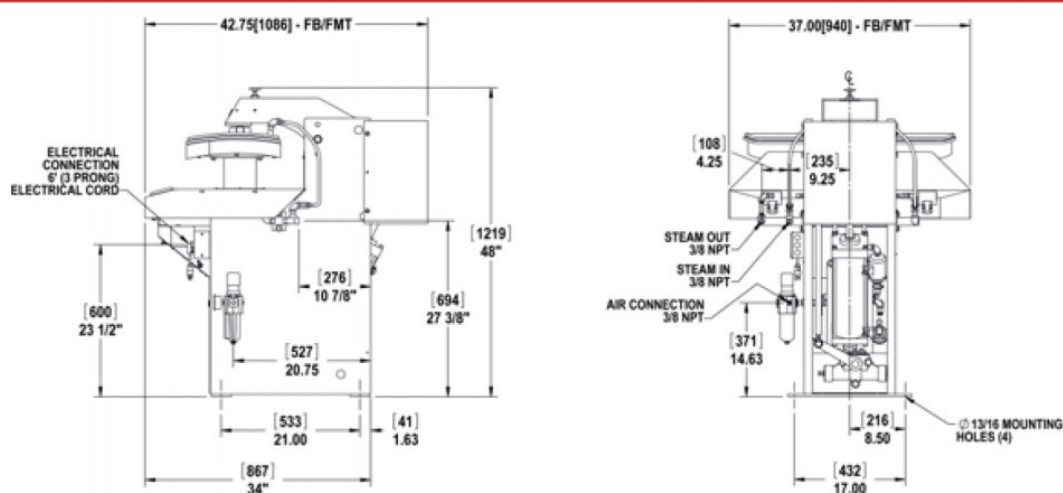




Z FRAME PRESSES

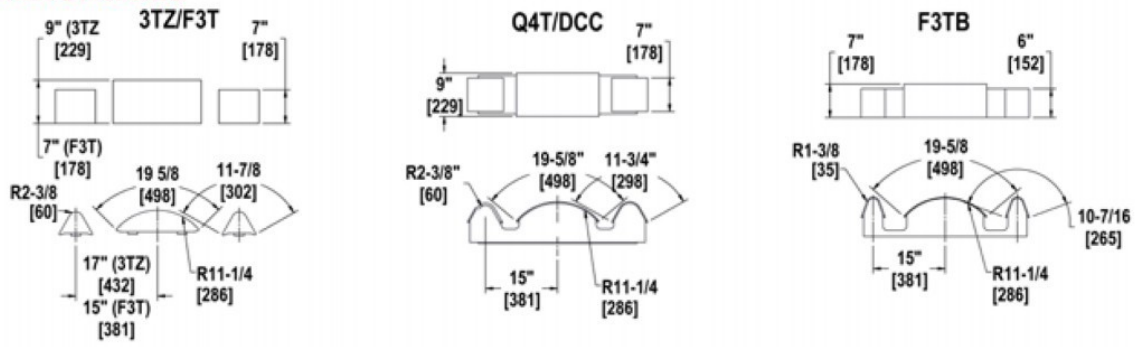


F FRAME PRESSES

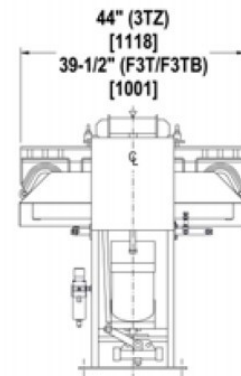
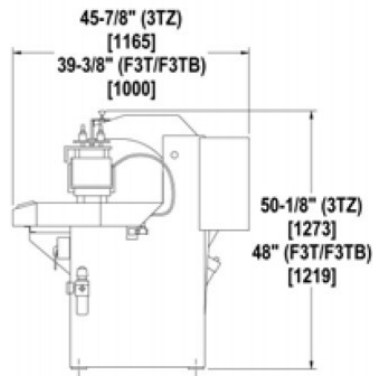


COLLAR AND CUFF PRESSES

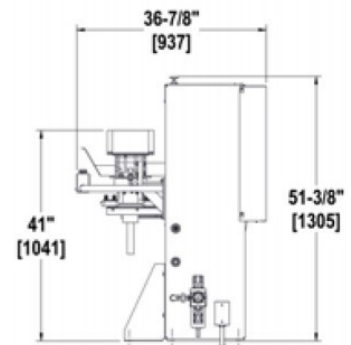
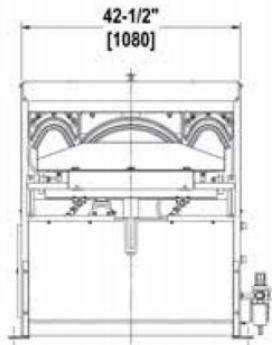
Buck Dimensions



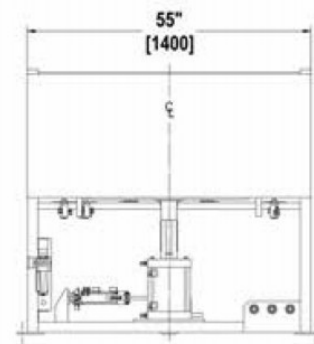
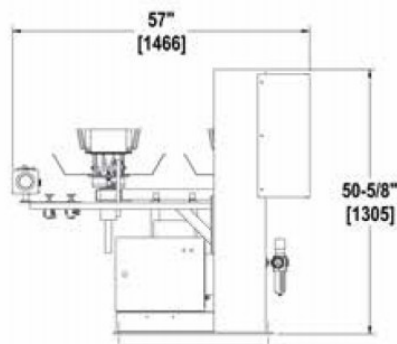
Models 3TZ F3T & F3TB



Model DCC



Model Q4T



Equipment Specifications

	HS-2	HS-1	CT	TD2	TS1	ABS	F3T/B	3TZ	DCC	Q4T
Overall Height	70.31"	65"	66.25"	64.63"	64.63	63.13"	47.94"	50.13"	51.36"	51.38"
Overall Length	85.31"	116"	84.5"	93.63"	93.63"	52.69"	39.38"	43.88"	36.88"	57"
Overall Width	88"	42.31"	35"	35"	35"	27"	39.5"	44"	42.5"	55"
Steam In	1-1/4"	1-1/4"	1-1/4"	1/2"	1/2"	1/2"	3/8"	3/8"	1/2"	1/2"
Steam Out	1/2" (5)	1/2" (5)	1/2" (5)	1/2" (2)	1/2" (2)	1/2"	3/8" (2)	3/8" (2)	1/2"	1/2" (2)
Steam Supply	100-125	100-125	100-125	100-125	100-125	100-125	100-125	100-125	100-125	100-125
Boiler HP	3.5	3.25	2.5	2	1.5	0.75	0.75	0.75	0.75	0.75
Air Inlet	1/2"	1/2"	1/2"	1/2"	1/2"	3/8"	3/8"	3/8"	1/2"	1/2"
Air Cons - Cycle	6 Cu. Ft	4.5 Cu.Ft.	3.5 Cu. Ft.	3.6 Cu. Ft.	3.6 Cu. Ft.	1.9 Cu. Ft.	1 Cu. Ft	1.75 Cu. Ft.	1 Cu. Ft.	2 Cu. Ft
Air Supply	85 PSI	85 PSI	85 PSI	85 PSI	85 PSI	85 PSI	85 PSI	85 PSI	85 PSI	85 PSI
Electric Press	115/1/60	115/1/60	115/1/60	115/1/60	115/1/60	115/1/60	115/1/60	115/1/60	115/1/60	115/1/60
Electric Motors	208 - 230/3/60	208 - 230/3/60	208 - 230/3/60	208 - 230/3/60	208 - 230/3/60	N/A	N/A	N/A	N/A	N/A
Amps Press	1 Amp @115	1 Amp @115	1 Amp @115	1 Amp @115	1 Amp @115	1 Amp @115	1 Amp @115	1 Amp @115	1 Amp @115	1 Amp @115
Amps Motors	15.4 Amp @ 230	15.4 Amp @ 230	15.4 Amp @ 230	11 Amp @ 230	11 Amp @ 230	N/A	N/A	N/A	N/A	N/A
Net Weight	3000 lbs	3400 lbs	2000 lbs	2700 lbs	2500 lbs	1150 lbs	700 lbs	1020 lbs	900 lbs	1445 lbs
	DLZ	DTZ	LPZ	WAZ	SLZ	ESLZ	FMT	FB		
Overall Height	50.13"	50.13"	50.13"	50.13"	50.13"	50.13"	48"	48"		
Overall Length	46.13"	46.13"	43.88"	46.13"	43.88"	43.88"	42.75"	42.75"		
Overall Width	48"	48"	61"	61"	61"	61"	37"	37"		
Steam In	3/8"	3/8"	3/8"	3/8"	3/8"	3/8"	N/A	3/8"	3/8"	
Steam Out	3/8"	3/8"	3/8"	3/8"	3/8"	3/8"	N/A	3/8"	3/8"	
Steam Supply	100-125	100-125	100-125	100-125	100-125	N/A	100-125	100-125		
Boiler HP	0.75	0.75	0.75	0.75	0.75	N/A	0.75	0.75		
Air Inlet	3/8"	3/8"	3/8"	3/8"	3/8"	3/8"	3/8"	3/8"		
Air Cons - Cycle	1.75 Cu. Ft.	1.75 Cu. Ft.	1.75 Cu. Ft.	1.75 Cu. Ft.	1.75 Cu. Ft.	1.75 Cu. Ft.	1 Cu. Ft.	1 Cu. Ft.		
Air Supply	85 PSI	85 PSI	85 PSI	85 PSI	85 PSI	85 PSI	85 PSI	85 PSI		
Electric Press	115/1/60	115/1/60	115/1/60	115/1/60	115/1/60	230/1/60	115/1/60	115/1/60		
Amps Press	1/2 Amp	1/2 Amp	1/2 Amp	1/2 Amp	1/2 Amp	31 Amp	1/2 Amp	1/2 Amp		
Net Weight	1215 lbs	995 lbs	1195 lbs	1050 lbs	1095 lbs	1015 lbs	580 lbs	670 lbs		

3501 Queen Palm Drive, Tampa FL 33619

813.623.3731 UnipressCorp.com

