

JWE 270/600

Open-Pocket, front-loading,
Washer Extractor with a loading
capacity of 270 kg (600 lb)



Hopper allows for automatic loading from a sling system.



The JWE 270/600 can tilt 12° two-ways (backward and forward) for fully automatic loading and unloading.

JENSEN's washer extractor solutions are a perfect complement to increase a laundry's flexibility towards their customers, and the JWE 270/600 expands the range of JENSEN's stand-alone washer extractor technology in a big way – offering a loading capacity of 270 kg (600 lbs). In addition to manual operation, it supports automatic loading and unloading, allowing it to be integrated into a fully automated washroom.

Highlights

- Maximum control of washing programs, from water level, spin speed, temperature, etc. Detergent dispensed by actual linen weight. This offers excellent wash results for a wide variety of linen.
- Auto-Pro hopper and 12° two-way tilt allows full integration into fully automated washroom.
- Intelligent balancing software system to reduce wear and tear on machine.
- High-capacity water and steam valves speed up the cycle time, ensuring maximum productivity.
- Relatively small footprint.
- Solid and durable design.
- Loading capacity: 270 kg (600 lbs).

Part of an automated washroom solution

Automatic loading is possible from an overhead sling system thanks to loading hopper (Auto-Pro) and 12° tilt which ensure linen fully shakes into the machine. This tilt system can also be activated to assist with manual loading. Automatic unloading is possible with a 12° tilt toward the front of the machine allowing linen to be fully shaken out of the front of the machine. This tilt system can also be activated for a more ergonomic and convenient manual unloading.



The JWE 270/600 is designed for big loads and can handle mats as well as garments and delicate linen.

Easy process management

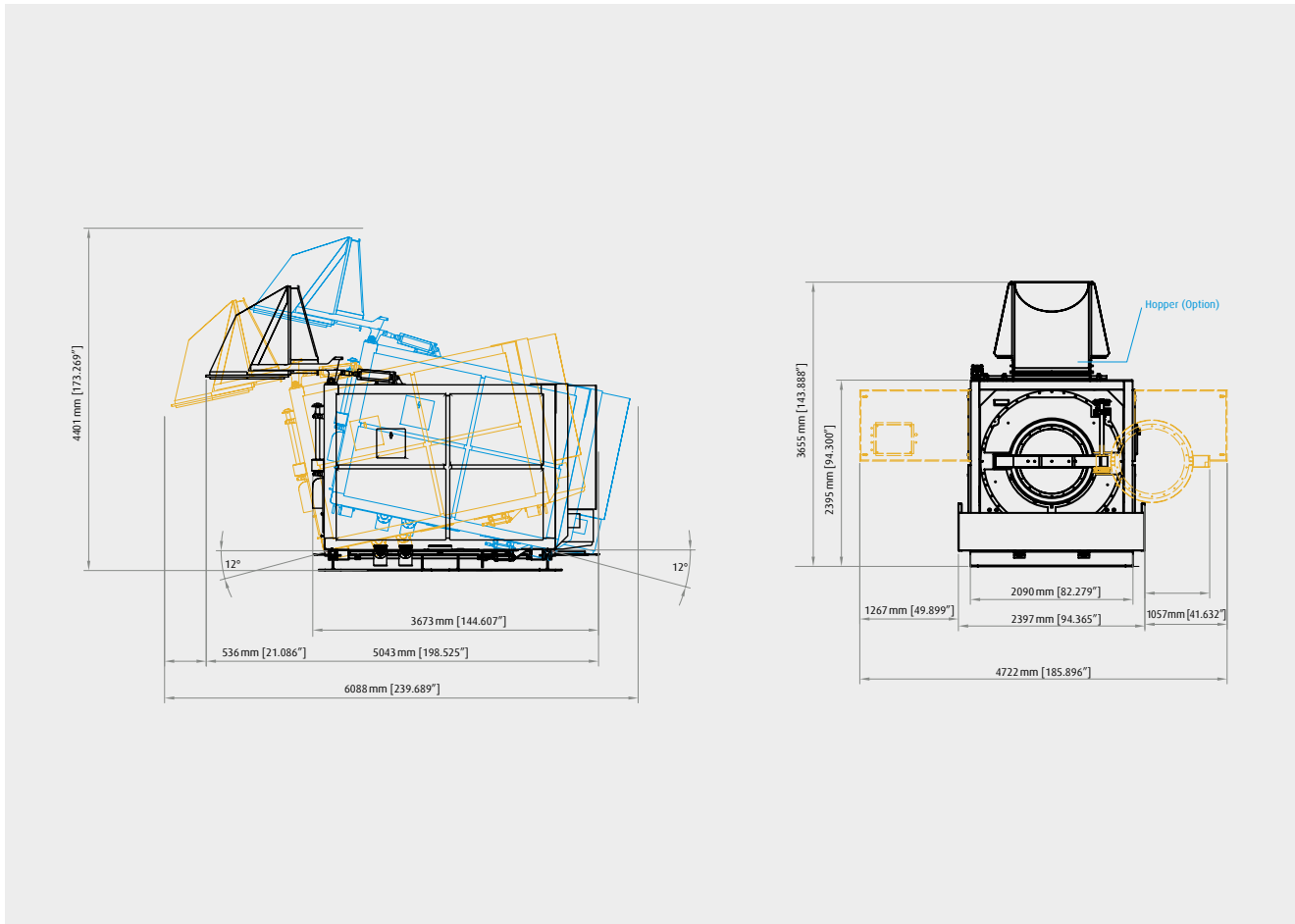
999 fully programmable formulas for complete control of wash parameters, including customizable cycle times, water levels, temperatures, and extraction speeds. This allowing a variety of linen types and volumes to be processed. The washing programs can be set-up, copied fast and loaded to other machines. Water and chemical doses are based on actual batch weight. All real-time data is shown on the large color display along with pictorial views for fault finding and monitoring of alarms and history of events.



The JWE 270/600 runs on the JOS operating system, for easy and full control of all aspects of machine performance.

Robust design and smart software to ensure longevity

A simple and robust design, coupled with the use of premium materials and strict manufacturing controls ensure longevity and a cost-efficient operation over the life cycle of the machine. The JWE 270/600 operates on the JOS operating system, which provides seamless integration with the JENSEN Ecosystem, and specially designed software ensures proper load distribution before starting extraction – decreasing wear on the machine and increasing efficiency.



Diseño frontal y lateral del JWE 270/600

Features

- Cylinder size of 1625 × 1260 mm (64" × 50")
- Cylinder volume of 2650 liters (93.6 cubic feet)
- Large pneumatic door opening of 1025 mm (40.4") with observation glass
- G-Force of 250
- 45 kW (60.35hp) single motor variable speed drive
- Ratio metric wash capability
- Airbag suspension provide shock absorption and leveling to reduce machine wear
- Pneumatic tilt -12 degree loading -12 degree unloading
- Manual chemical chute mounted to shell
- Spare seal on the shaft
- Wet-out spray to improve loading effectiveness
- Titration port allows easy sampling of water in the drum
- Eight (8) 16 mm (5/8") liquid supply couplings mounted on the shell
- JOS controls

Installation

JENSEN is pleased to assist you in planning your laundry by providing excellent advice, layouts and technical data. Authorised JENSEN distributors or JENSEN engineers should carry out the installation to ensure that it is performed correctly.

Service

In addition, JENSEN provides an extraordinary after-sales service through a worldwide network of highly qualified Sales and Service Centres and distributors, all with their own maintenance and spare parts services.

Call us...

JENSEN provides a complete range of heavy-duty equipment for the laundry industry, delivered and installed according to your specifications. Please do not hesitate to contact us for further advice and information, or visit

www.jensen-group.com

Local contact



www.jensen-group.com



Explore our equipment on  **YouTube**
www.youtube.com/jensengroup